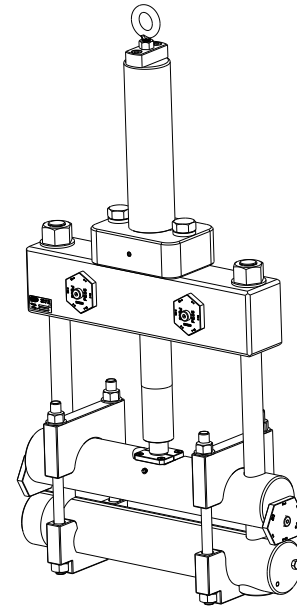
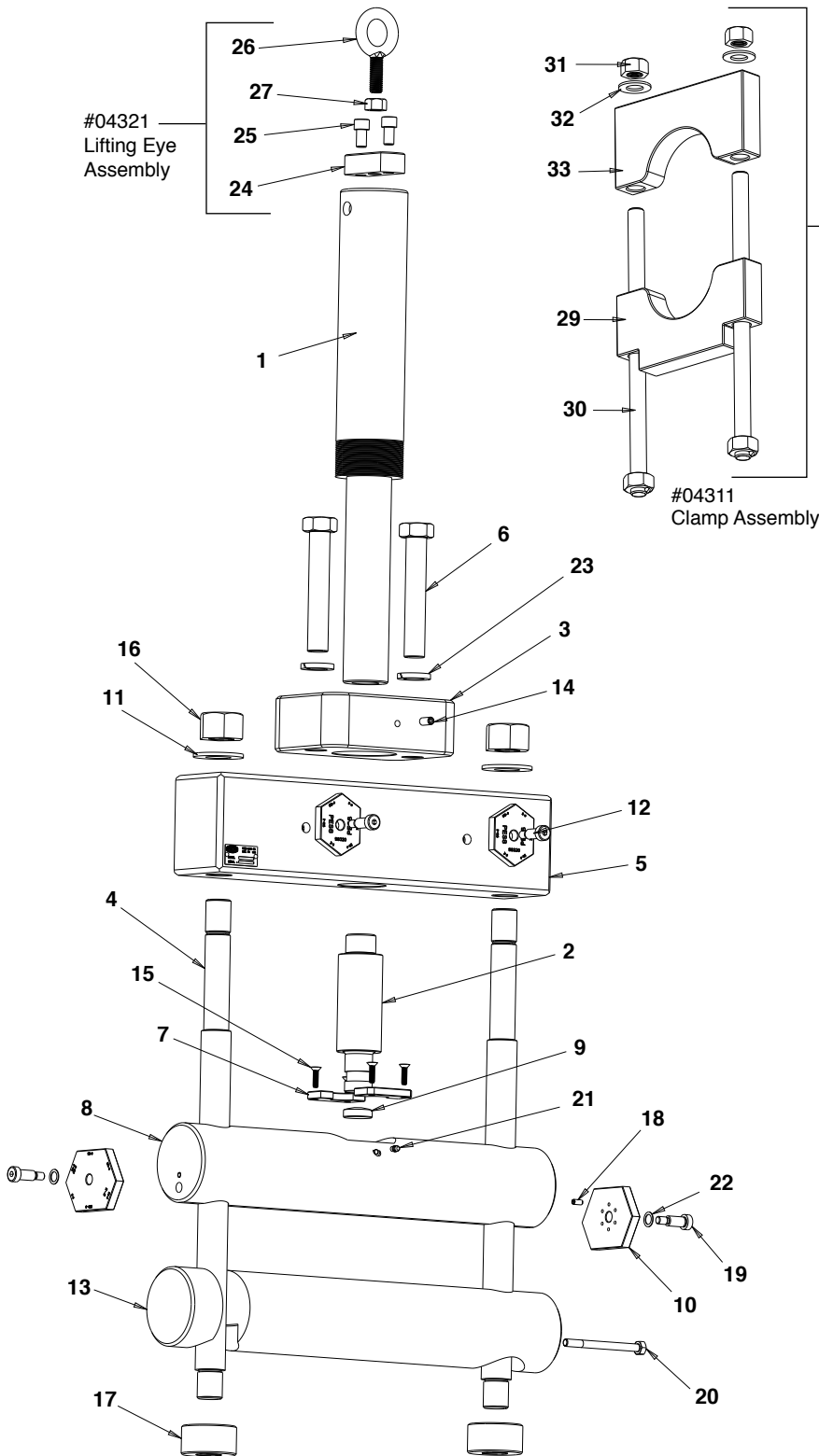




PIPE TOOLS & VISES
SINCE 1896

PES8H (Hydraulic) PE Squeeze-Off Tool

Replacement Parts



PES8H
#04309

Parts List

| Ref. No. | Description | Item Code | Qty. Used |
|----------|-----------------------|-----------|-----------|
| 1 | Cylinder | 94310 | 1 |
| 2 | Rod Extension | 94311 | 1 |
| 3 | Cylinder Plate | 94309 | 1 |
| 4 | Tie Rod | 98313 | 2 |
| 5 | Head | 94312 | 1 |
| 6 | Hex Head Bolt | 34309 | 2 |
| 7 | Retainer Plate | 98316 | 2 |
| 8 | Crosshead Bar | 98330 | 1 |
| 9 | Thrust Cup | 98317 | 1 |
| 10* | Large Stops 6-8" | 98319 | pair |
| 11 | Flat Washer | 38312 | 2 |
| 12* | Small Stops 3-4" | 98320 | pair |
| 13 | Bottom Bar | 98332 | 1 |
| 14 | Set Screw | 34310 | 1 |
| 15 | Cap Screw | 30040 | 4 |
| 16 | Heavy Hex Nut | 38311 | 2 |
| 17 | Tie Rod End | 98322 | 2 |
| 18 | Ball Plunger | 98327 | 2 |
| 19 | Socket Shoulder Bolt | 38314 | 4 |
| 20 | Hex Head Bolt | 38317 | 1 |
| 21 | Grease Fitting | 98323 | 1 |
| 22 | Curved Spring Washer | 92761 | 2 |
| 23 | Lock Washer | 34312 | 2 |
| 24 | Eye Bolt Mount | 98331 | 1 |
| 25 | Socket Head Cap Screw | 30138 | 2 |
| 26 | Eye Bolt | 45551 | 1 |
| 27 | Hex Nut | 30081 | 1 |
| 28 | Clamp Assembly | 04311 | 2 |
| 29 | Bottom Clamp Bar | 98336 | 1 |
| 30 | Clamp Rod | 98326 | 2 |
| 31 | Hex Nut | 38310 | 2 |
| 32 | Flat Washer | 38316 | 2 |
| 33 | Top Clamp Bar | 98335 | 1 |

Units released after August 2014 include mounting hardware for lifting.
To retrofit an older unit, purchase #04321 Lifting Eye Assembly.

*PES8HMETRIC Metric units include stops 98360 & 98319SO, pair of each.

Reed Manufacturing Company
1425 West 8th Street
Erie, PA 16502 USA



Phone: 800-666-3691 or 814-452-3691
Fax: 800-456-1697 or 814-455-1697
www.reedmfgco.com

RP-0116-101